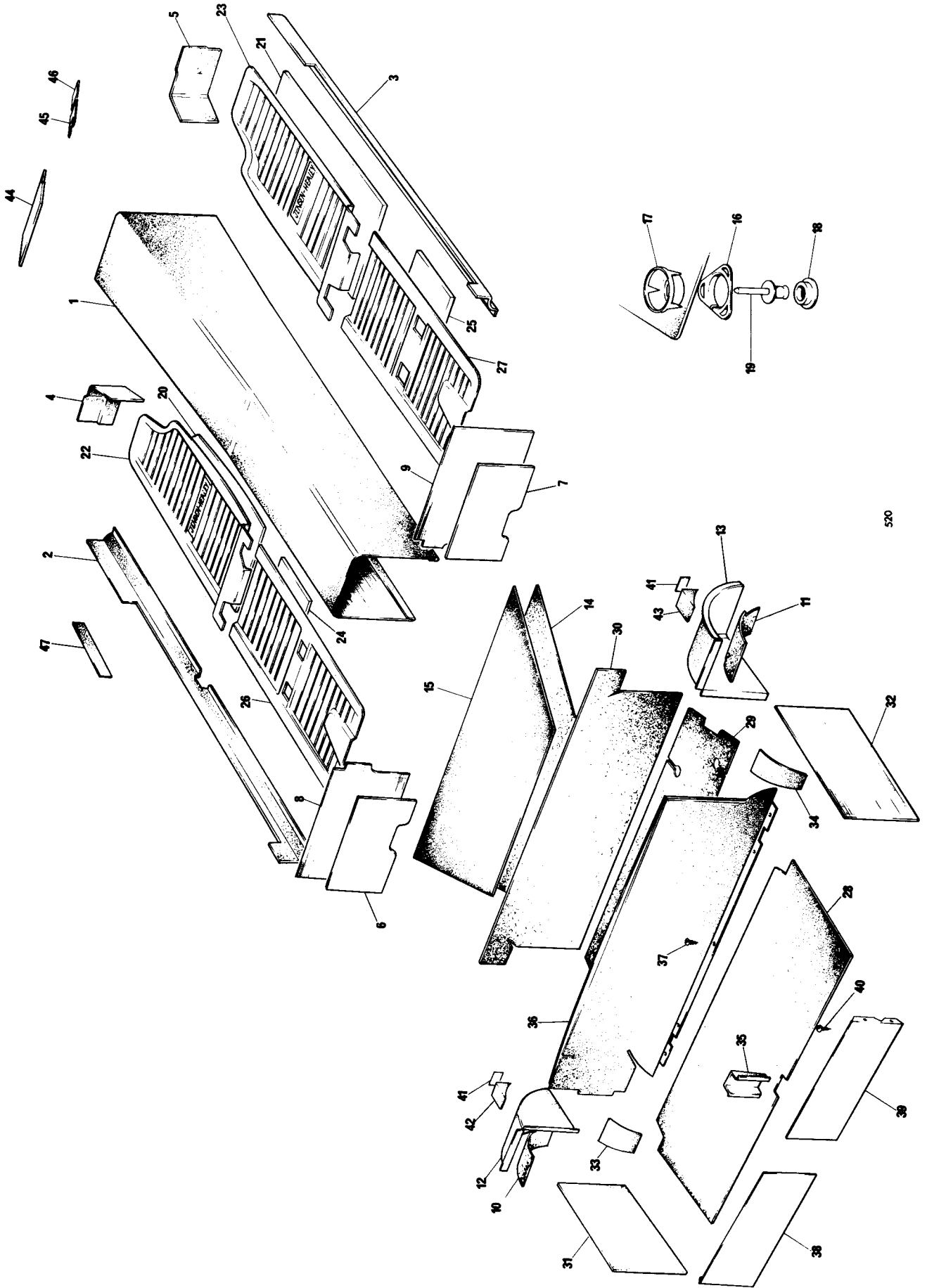


# SECTION J

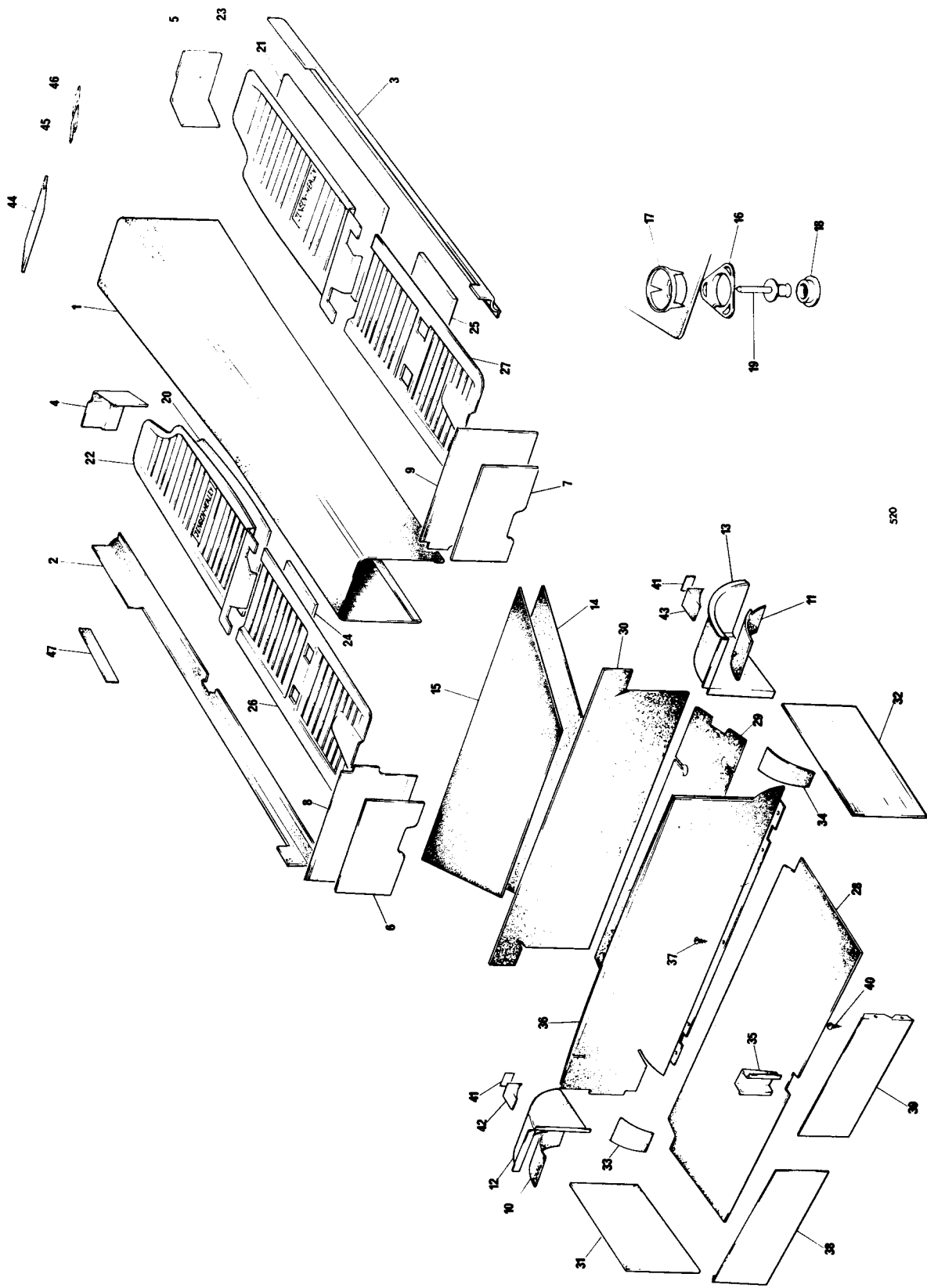
## INTERIOR TRIM

CARPETS AND FELTS . . . . .	J3
SOFT TRIM, FITTINGS AND FIXINGS (PRIOR TO CHASSIS No. 13349) . . . . .	J7
SOFT TRIM, FITTING AND FIXINGS (AFTER CHASSIS No. 13350) . . . . .	J9
SEATS AND SEAT BELTS . . . . .	J11
INTERIOR HARDWARE . . . . .	J13



CARPETS AND FELTS

Plate Ref. No.	Description	Quan. per veh	Jensen Part No.	Suppliers Part No.	Code	Model	Remarks
1	Carpet – centre tunnel	1	91542				
2	Carpet – sill inner – L.H.	1	91543				
3	Carpet – sill inner – R.H.	1	91544				
4	Carpet – toe box – L.H.	1	92037				
5	Carpet – toe box – R.H.	1	91546			U.S.A. Eur. L.H.	
5	Carpet – toe box – R.H.	1	92038			Eur. R.H.	
6	Insulation – heelboard – R.H.	1	92646				
7	Insulation – heelboard – R.H.	1	92647				
8	Carpet – heelboard – L.H.	1	91547				
9	Carpet – heelboard – R.H.	1	91548				
10	Felt – packing – rear wheel arch L.H.	1	92097				
11	Felt – packing – rear wheel arch R.H.	1	92098				
12	Carpet – rear wheel arch L.H.	1	91549				
13	Carpet – rear wheel arch R.H.	1	91550				
14	Insulation – rear shelf	1	92648				
15	Carpet – rear shelf	1	91552				
16	Fastener – female	2	91553				
17	Spiked ring	2	91555				
18	Fastener – male	2	91554				
19	Pop rivet	2	66352				
20	Insulator – floor front – L.H.	1	92640				
21	Insulator – floor front – R.H.	1	92641				
22	Rubber mat – floor front – L.H.	1	91440				
23	Rubber mat – floor front – R.H.	1	91441				
24	Insulation – floor centre – L.H.	1	92642				
25	Insulation – floor centre – R.H.	1	92643				
26	Rubber mat – rear floor – L.H.	1	91442				
27	Rubber mat – rear floor – R.H.	1	91443				
28	Mat – boot floor	1	91473				To chassis 13349
28	Carpet – boot floor	1	97008				
29	Felt – boot floor – front	1	92069				
30	Felt – boot bulkhead	1	92070				
31	Carpet – boot side – L.H.	1	97009				
32	Carpet – boot side – R.H.	1	97010				From chassis 13350
33	Carpet – boot wheel arch – L.H.	1	97012				
34	Carpet – boot wheel arch – R.H.	1	97013				
35	Carpet – striker support	1	97043				
36	Casing – boot front	1	91913				Up to chassis 13349
36	Casing – boot front	1	97096				From chassis 13350
37	Screw – self tap	A/R	67504				
38	Casing – boot rear – L.H.	1	91834			U.S.A.	Up to chassis 13349
38	Casing – boot rear – L.H.	1	91154			Eur. L.H. Eur. R.H.	Up to chassis 13349
38	Casing – boot rear – L.H.	1	97094				From chassis 13350
39	Casing – boot rear – R.H.	1	91835			U.S.A.	Up to chassis 13349
39	Casing – boot rear – R.H.	1	91155			Eur. L.H. Eur. R.H.	Up to chassis 13349
39	Casing – boot rear – R.H.	1	97095				From chassis 13350
40	Screw – self tap						



**CARPETS AND FELTS**

Plate Ref. No.	Description	Quan. per veh	Jensen Part No.	Suppliers Part No.	Code	Model	Remarks
41	Carpet — seat belt anchor	2	92963				} From chassis 13350
42	Carpet — seat belt anchor — L.H.	1					
43	Carpet — seat belt anchor — R.H.	1					
44	Insulation — heater mntg panel passenger side	1	92637			Eur. R.H.	
44	Insulation — heater mntg panel passenger side	1	92649			U.S.A. Eur. L.H.	
45	Insulation — heater mntg panel drivers' side	1	92639			Eur. R.H.	
45	Insulation — heater mntg panel drivers' side	1	92650			U.S.A. Eur. L.H.	
46	Insulation — pedal box top	1	92638				
47	Felt — anti door rattle	2	92060				

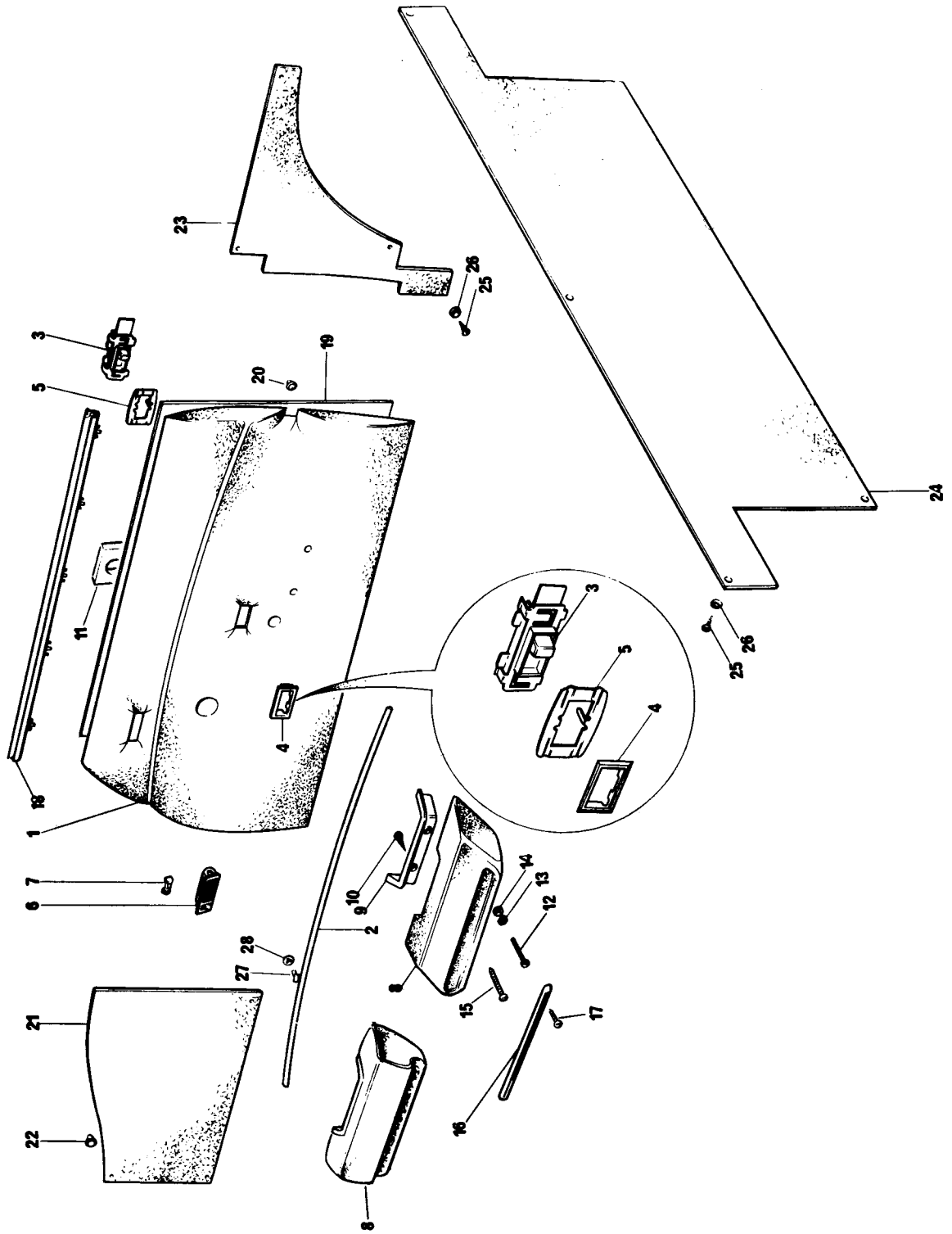


Plate Ref. No.	Description	Quan. per veh	Jensen Part No.	Suppliers Part No.	Code	Model	Remarks
1	DOOR CASING ASSY R.H.	1	90365			U.S.A. Eur L.H.	
1	DOOR CASING ASSY R.H.	1	90487			Eur. R.H.	
1	DOOR CASING ASSY L.H.	1	90364			U.S.A. Eur. L.H.	
1	DOOR CASING ASSY L.H.	1	90486			Eur. R.H.	
2	door – moulding assy R.H.	1	91795				
2	door – moulding assy L.H.	1	91794				
3	Locking control – interior	2	90359	72240561	C		
4	Escutcheon – locking control	2	90375	2247657	C		
5	Retainer – escutcheon	2	90919	2239781	C		
6	INTERIOR LIGHT ASSY	1	91527				
7	bulb – festoon	1	93021				
8	Armrest – door – moulded R.H.	1	90446				Up to chassis 11641
8	Armrest – door – moulded L.H.	1	90445				Up to chassis 11641
8	Armrest – door – trimmed R.H.	1	92800				From chassis 11642
8	Armrest – door – trimmed L.H.	1	92799				From chassis 11642
9	Bezel – armrest	2	91109				
10	Screw – self tap – bezel to armrest	4	65918				
11	Packer – door casing (foam)	2	92130				
12	Screw – armrest to casing	4	65713				Up to chassis 11641
12	Screw – armrest to casing	4	66020				From chassis 11642
13	Washer – spring	4	65603				
14	Washer – plain	4	65503				
15	Screw – self tap	2	66011				Up to chassis 11641
16	Finisher – armrest R.H.	1	91191				
16	Finisher – armrest L.H.	1	91188				
17	Screw – self tap	4	65830				
18	Weather strip – exterior R.H.	1	91113				
18	Weather strip – exterior L.H.	1	91112				
19	Water curtain – door	2	90361				
20	Fastener – casing to door	22	90372				
21	Scuttle side casing R.H.	1	91651				
21	Scuttle side casing L.H.	1	91650				
22	Fastener – casing to body	8	90372				
23	Rear quarter panel casing R.H.	1	91646				
23	Rear quarter panel casing L.H.	1	91645				
24	Rear bulkhead casing	1	91642				
25	Screw – self tapping	14	65903				
26	Washer – countersunk	14	66855				
27	Retainer – door moulding	10	92617				
28	Push fix	10	92618				

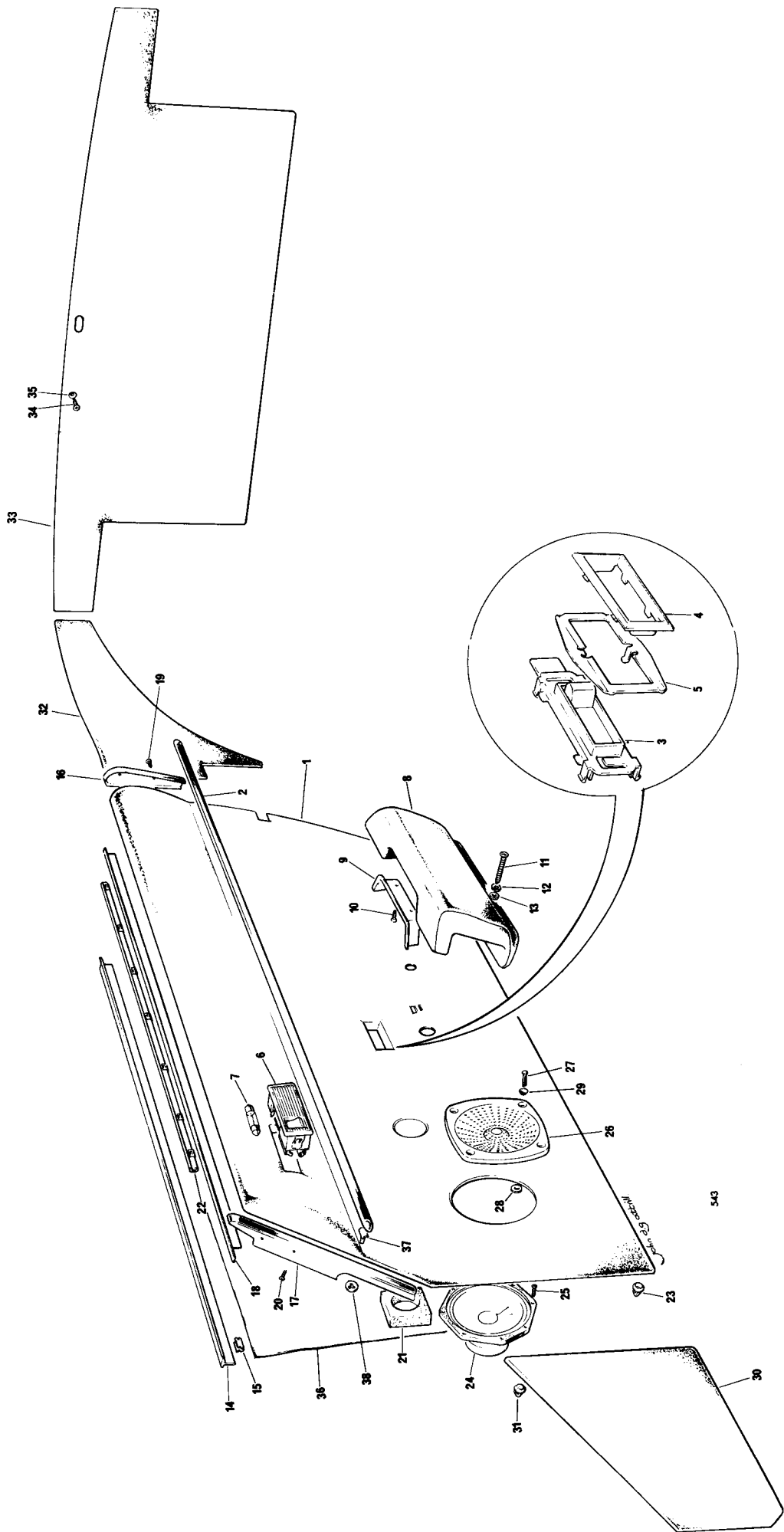
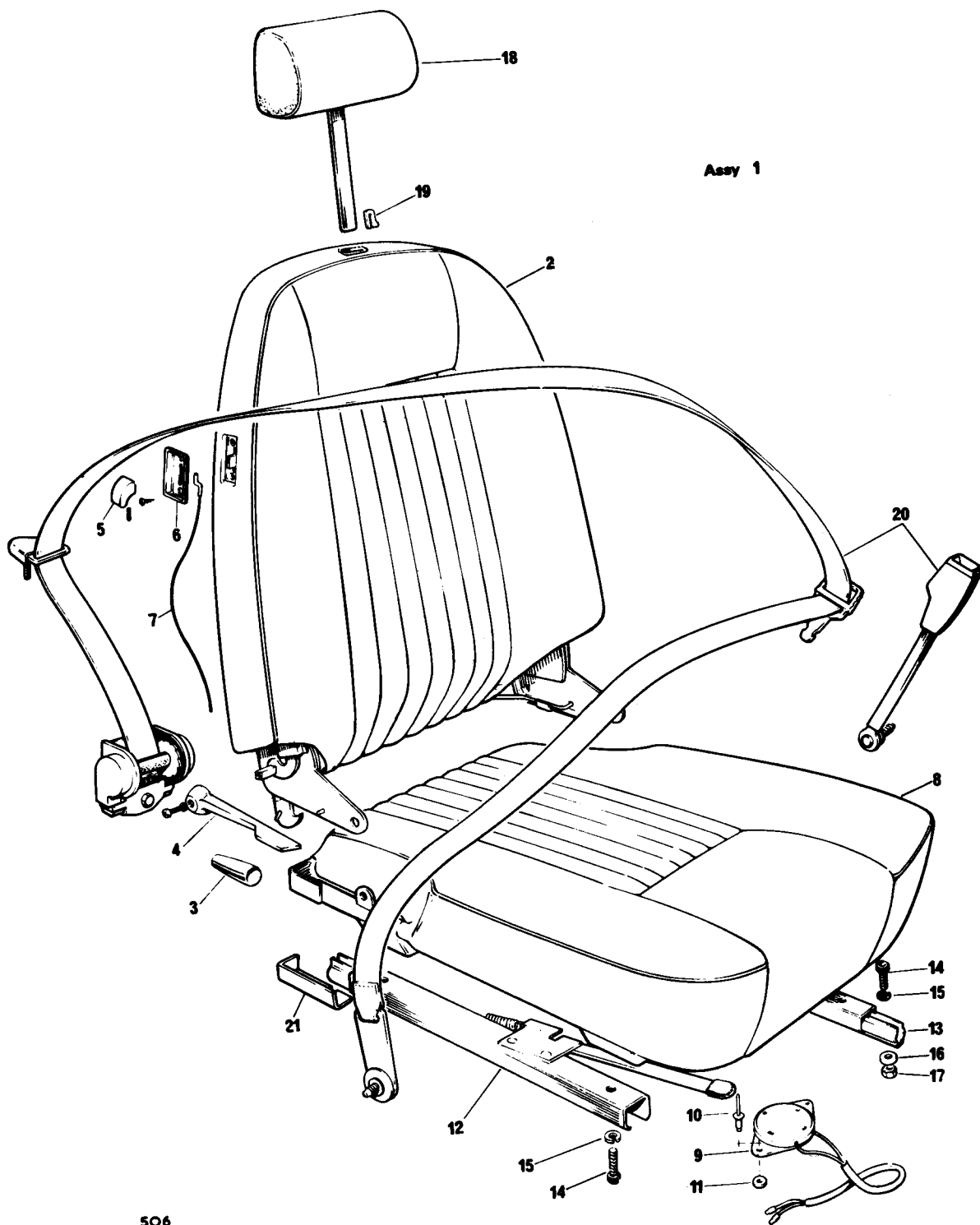


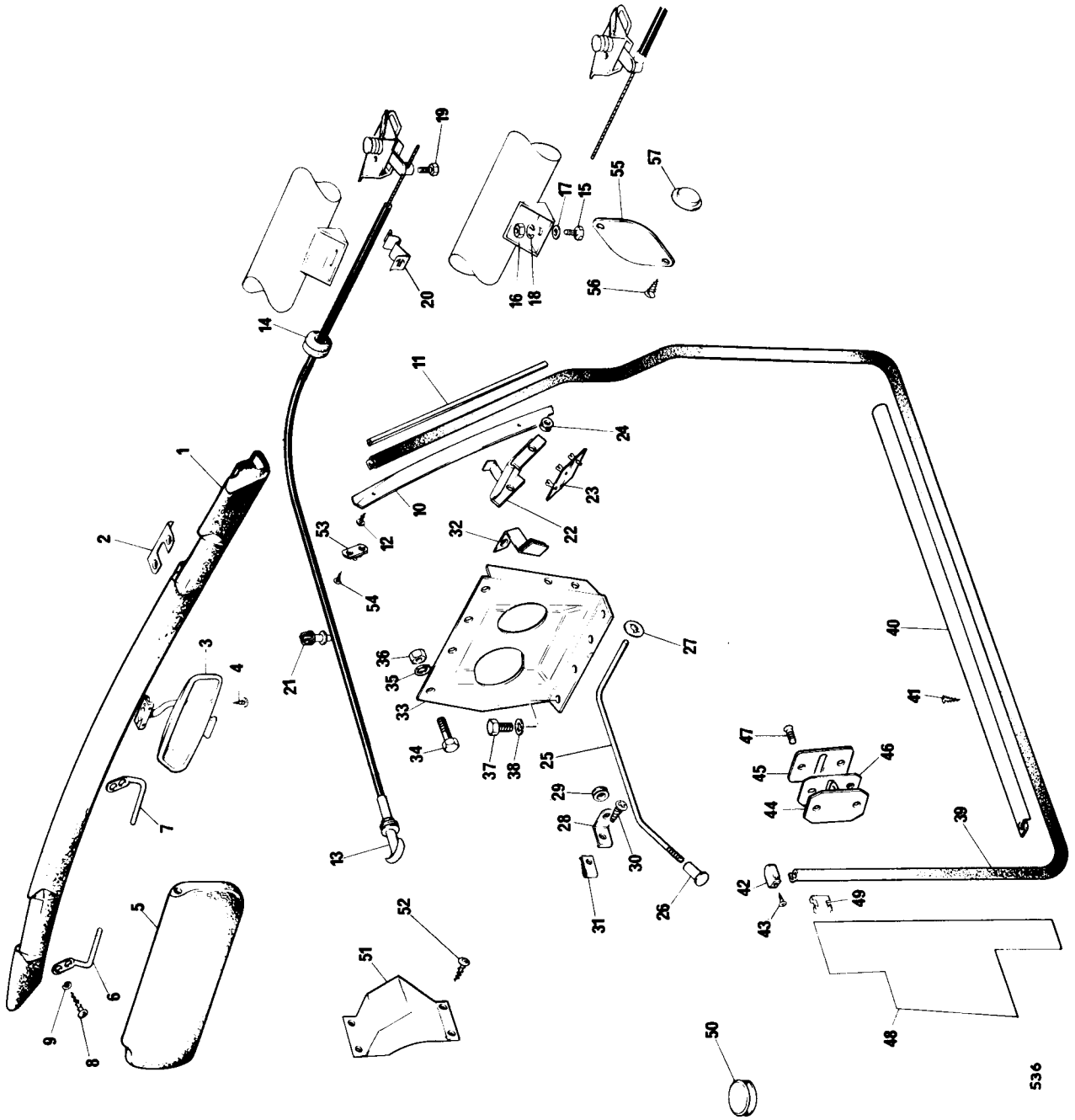


Plate Ref. No.	Description	Quan. per veh	Jensen Part No.	Suppliers Part No.	Code	Model	Remarks
1	DOOR CASING ASSY R.H.	1	92394			U.S.A. Eur. L.H.	
1	DOOR CASING ASSY R.H.	1	92392			Eur. R.H.	
1	DOOR CASING ASSY L.H.	1	92393			U.S.A. Eur. L.H.	
1	DOOR CASING ASSY L.H.	1	92391			Eur. R.H.	
2	door moulding assy	1	92481				
3	Locking control – interior	2	90359	72240561	C		
4	Escutcheon – locking control	2	90375	2247657	C		
5	Retainer – escutcheon	2	90919	2239781	C		
6	INTERIOR LIGHT ASSY	1	91527				
7	bulb – festoon	1	93021				
8	Armrest – door – trimmed R.H.	1	92800				
8	Armrest – door – trimmed L.H.	1	92799				
9	Bezel – armrest	2	91109				
10	Screw – self tap – bezel to armrest	4	65918				
11	Screw – armrest to casing	4	66020				
12	Washer – spring	4	65603				
13	Washer – plain	4	65503				
14	Weather strip – exterior	2	92586				
15	Edge clip	20	66807				
16	Finisher – door shut face – rear L.H.	1	92395				
16	Finisher – door shut face – rear R.H.	1	92396				
17	Finisher – door shut face – front L.H.	1	92366				
17	Finisher – door shut face – front R.H.	1	92367				
18	Finisher – door waist R.H.	1	92376				
18	Finisher – door waist L.H.	1	92375				
19	Screw – self tap	2	66021				
20	Screw – self tap	4	65918				
21	Packer – door casing (foam)	2	92130				
22	Interior draught excluder L.H.	1	91156				
22	Interior draught excluder R.H.	1	91157				
23	Fastener – casing to door	22	90372				
24	SPEAKER ASSY	2	92321			U.S.A.	
25	screw – self tap	8	66007			U.S.A.	
26	Bezel – speaker	2	92616				
27	Rivet – bifurcated	8	66451				
28	Washer – plain	8	65503				
29	Washer – cup	8	66858				
30	Scuttle side casing R.H.	1	91651				
30	Scuttle side casing L.H.	1	91650				
31	Fastener – casing to body	8	90372				
32	Rear quarter panel casing R.H.	1	92957				
32	Rear quarter panel casing L.H.	1	92956				
33	Rear bulkhead casing	1	91642				
34	Screw – self tapping	14	65903				
35	Washer – countersunk	14	66855				
36	Water – curtain – door	2	90361				
37	Retainer – door moulding	10	92617				
38	Push fix	10	92618				



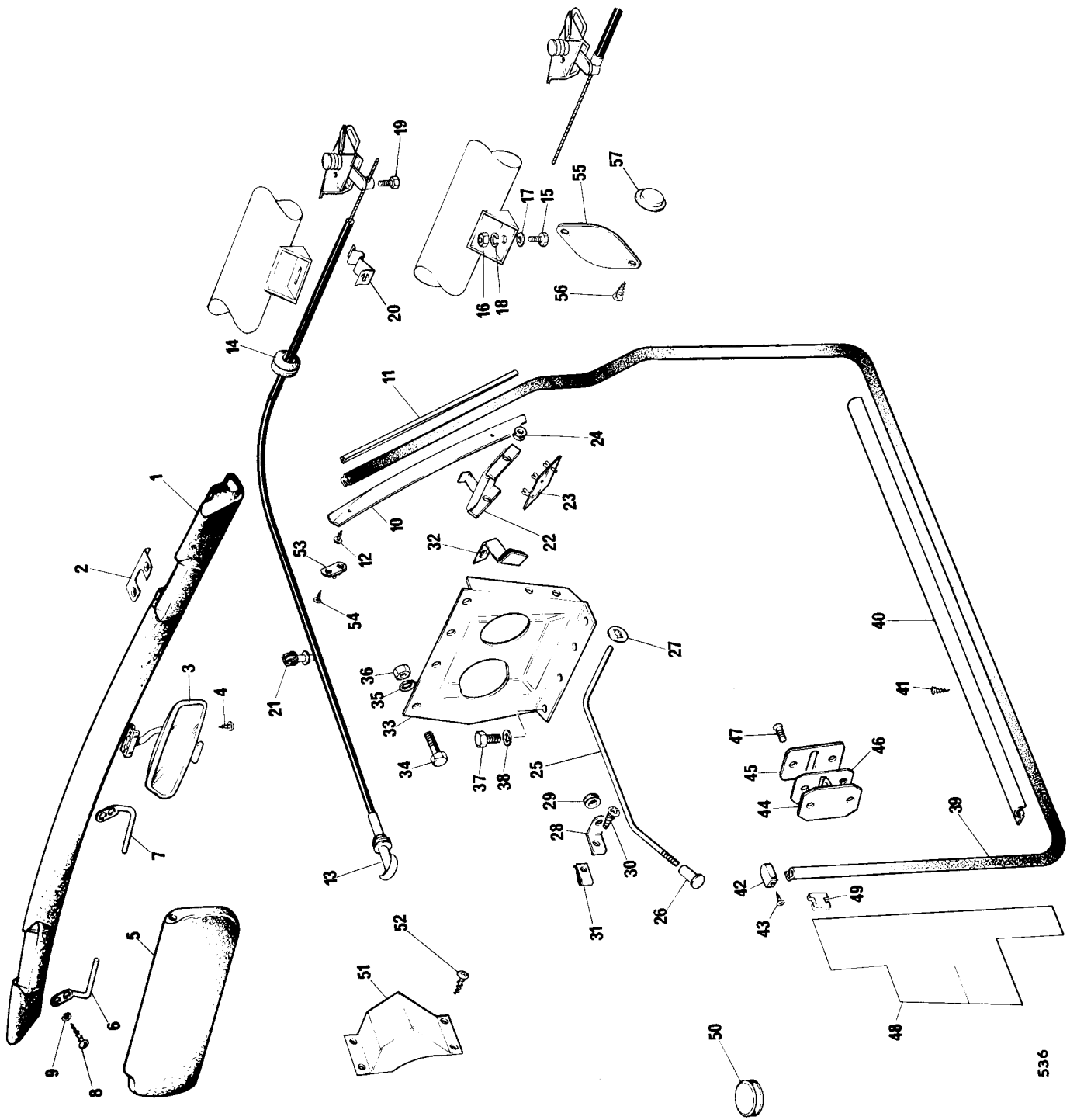
## SEATS AND SEAT BELTS

Plate Ref. No.	Description	Quan. per veh	Jensen Part No.	Suppliers Part No.	Code	Model	Remarks	
1	SEAT ASSY L.H.	1	90709			U.S.A. Eur. L.H.	} Up to chassis 14419	
1	SEAT ASSY R.H. (c/w safety belt warning switch)	1	91867			U.S.A. Eur. L.H.		
1	SEAT ASSY L.H. (c/w safety belt warning switch)	1	91868			Eur. R.H.		
1	SEAT ASSY R.H.	1	90710			Eur. R.H.		
1	SEAT ASSY L.H.	1	97265			Eur. L.H.		
1	SEAT ASSY R.H. (c/w safety belt warning switch)	1	97267			Eur. L.H.		
1	SEAT ASSY R.H.	1	97266			Eur. R.H.		
1	SEAT ASSY L.H. (c/w safety belt warning switch)	1	97268			U.S.A. & Eur. R.H.		
2	SQUAB ASSY L.H.	1	90711					} Up to chassis 14419
2	SQUAB ASSY R.H.	1	90712					
2	SQUAB ASSY L.H.	1	97269				} From chassis 14420	
2	SQUAB ASSY R.H.	1	97270					
3	knob-seat squab adjuster	4	93007				Up to chassis 14419	
4	lever — recline	2	97278				} From chassis 14420	
5	knob-seat tilt	2	97273					
6	finisher — tilt lever	2	97262					
7	cable	2	94309					
8	cushion assy L.H.	1	90713				} Passenger seat only	
8	cushion assy R.H.	1	90714					
9	switch — safety belt warning	1	91869			Eur. L.H. Eur. R.H.		
9	switch — safety belt warning	2	91869			U.S.A.		
10	rivet — pop	A/R	66352					
11	washer — plain	A/R	65501					
12	seat slide assy (c/w release) L.H.	2	90715					
12	seat slide assy (c/w release) R.H.	2	90716					
13	seat slide assy	2	90717					
14	screw — socket head — slide to seat and floor	16	65450					
15	washer — spring	16	65605					
16	washer — plain	8	65505					
17	nut	8	65305					
18	headrest assy	2	90726					
19	clip — headrest — retaining	2	94033					
20	SEAT BELT COMPLETE L.H.	1	91672			} Hong Kong New Zealand		
20	SEAT BELT COMPLETE R.H.	1	91673					
20	SEAT BELT COMPLETE L.H.	1	91674			} West Germany		
20	SEAT BELT COMPLETE R.H.	1	91675					
20	SEAT BELT COMPLETE L.H.	1	92383			} Austria U.K. U.S.A. Canada Australia		
20	SEAT BELT COMPLETE R.H.	1	92384					
21	brkt. seat travel restrictor L.H.	1	92531					
21	brkt. seat travel restrictor R.H.	1	92532					
							Switzerland from chassis 13144 Japan from chassis 12902	



**INTERIOR HARDWARE**

Plate Ref. No.	Description	Quan. per veh	Jensen Part No.	Suppliers Part No.	Code	Model	Remarks
1	Crash roll – windscreen	1	91025				
1	Crash roll – windscreen	1	92897				From chassis 12753
2	Finisher – crash roll	2	91945				
3	Mirror – interior	1	91101				Up to chassis 13349
3	Mirror – interior	1	97213				From chassis 13350
4	Screw – self tapping	2	65917				
5	Sunvisor	2	91104			Except Australia	
5	Sunvisor	2	92096			Australia only	
5	Sunvisor	2	92879			Except Australia	From chassis 12753
5	Sunvisor	2	92880			Australia only	From chassis 12753
6	Pivot – sunvisor L.H.	2	90929				
7	Pivot – sunvisor R.H.	2	90930				
8	Screw	8	65707				Up to chassis 12752
8	Screw	8	66414				From chassis 13883
9	Washer – spring	8	65603				
10	Finisher – ‘A’ post upper L.H.	1	91739				
10	Finisher – ‘A’ post upper R.H.	1	91740				
11	Finisher – ‘A’ post	2	92152				
12	Screw – self tapping	4	66014				
13	Cable – bonnet release	1	91220				
13	Cable – bonnet release	1	92952			Eur. R.H.	From chassis 12920
13	Cable – bonnet release	1	92953			U.S.A. Eur. L.H.	From chassis 12549
14	Grommet – cable	1	66615				
15	Screw – bonnet release cable	1	92004			Eur. R.H.	
16	Nut – bonnet release cable	1	65304			Eur. R.H.	
17	Washer – plain – bonnet release cable	1	65504			Eur. R.H.	
18	Washer – spring – bonnet release cable	1	65604			Eur. R.H.	
19	Screw – bonnet release cable	1	65113			U.S.A. Eur. L.H.	
20	Clip – bonnet cable to bracket	1	92055			U.S.A. Eur. L.H.	
21	Clip – cable bonnet release	3	91670			U.S.A. Eur. L.H.	
22	FLAP – AIR VENT ASSY	2	91763				
23	hinge – air vent flap	2	91766				
24	grommet – air vent flap	4	66603				
25	Control rod – air vent flap L.H.	1	91767				
25	Control rod – air vent flap R.H.	1	91768				
26	Knob control rod	2	91770				
27	Push on fix – control rod	2	67161				
28	Bracket – control rod	2	91769				
29	Grommet – control rod	2	66603				
30	Spire screw – bracket to panel	2	66305				
31	Spire nut – bracket to panel	2	66205				
32	Stop bracket L.H. – air vent	1	92153				
32	Stop bracket R.H. – air vent	1	92154				
33	Panel – tunnel reinforcement	1	90690				
34	Bolt – panel to cross tube	4	65010				To chassis 10320 only
35	Washer – plain	12	65505				
36	Nut – locking	4	65405				
37	Screw – panel to tunnel	4	65124				
38	Washer – spring	4	65605				



INTERIOR HARDWARE

Plate Ref. No.	Description	Quan. per veh	Jensen Part No.	Suppliers Part No.	Code	Model	Remarks
not ill.	Clip – heater control cable support	1	67100				From chassis 10485
not ill.	Screw – self tap – clip to panel	1	66001				From chassis 10485
39	Seal – door aperture	2	91214				
40	Kick strip – sill	2	91002				
41	Screw – self tapping	8	65808				
42	Finisher – door aperture seal L.H.	1	91715				
42	Finisher – door aperture seal R.H.	1	91716				
43	Screw – self tapping	4	65802				
44	Striker – door latch	2	90981				
44	Striker – door latch	2	92949				From chassis 13350
45	Cover plate – striker	2	90982				
45	Cover plate – striker	2	92948				From chassis 13350
46	Gasket – cover plate	2	92950				From chassis 13350
47	Screw – self tapping	4	65251				
48	Covering – hood mounting plate & flange shut face L.H.	1	92282				
48	Covering – hood mounting plate & flange shut face R.H.	1	92283				
49	Edge clip – covering to shut face pillar	6	66806				
50	Grommet – blanking – floor	24	66711				
51	Footrest assy	1	90923			U.S.A. Eur. L.H.	
52	Screw – self tapping	4	65812			U.S.A. Eur. L.H.	
53	Tenax double based peg fix to 'A' posts	2	92000				
54	Screw – self tap fix to 'A' posts	4	65902				
55	Blanking plate – steering column aperture	1	90240				
not ill.	Gasket compound – blanking plate	A/R	91459				
56	Screw – self tap – blanking plate	2	67501				
57	Sealing plug – scuttle side	2	66702				From chassis 10350

